

[Click Here
For Your Free Quote](#)

Standard Port 2PC Ball Valves

COMMERCIAL SERIES STANDARD PORT 2 PC BALL VALVE CARBON AND STAINLESS STEEL

MODELS T70

Size
1/4" - 1"



Size
1 1/4" - 2"



Three Bolt Actuator Mounting Design

MODELS

Stainless Steel 316 - T70-SS
Carbon Steel WCB - T70-CS

Reinforced PTFE Seating

Pressure Rating:

2000 WOG 1/4" thru 1"

1500 WOG 1 1/4" thru 2"

Steam Rating: 150 psi WSP

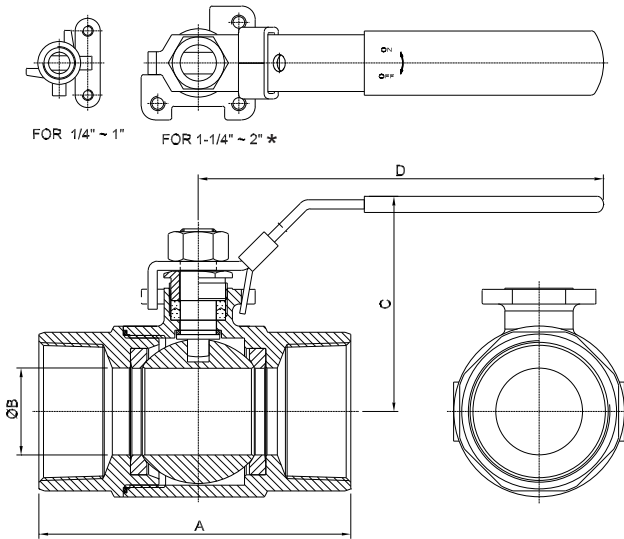
Temperature Range: -20 to +450°F

FEATURES:

- Quality Investment Cast Body
- Internal Entry Blow-out Proof Stem
- Adjustable Packing Gland
- Safety Type Locking Handle
- Actuator Mounting Pad
- All Carbon Steel Bodies Are Black Phosphate Coated For Added Corrosion Resistance

Built to Satisfy High Pressure Applications Affordably!

T70 STANDARD PORT BALL VALVE DESIGN AND TECHNICAL DATA



DIMENSIONS AND WEIGHTS:

SIZE	A	B	C	D	CV	Torque in-lb	Weight lbs
1/4"	2.23	0.50	2.13	4.09	15	60	0.68
3/8"	2.23	0.50	2.13	4.09	15	60	0.68
1/2"	2.35	0.50	2.13	4.09	15	65	0.66
3/4"	3.11	0.69	2.59	4.92	40	80	1.36
1"	3.35	0.88	2.70	4.92	70	130	1.67
1 1/4"	4.02	1.00	3.37	5.91	120	210	3.15
1 1/2"	4.37	1.26	3.54	5.91	200	200	3.96
2"	5.39	1.50	3.74	7.09	340	340	5.81

*Consult factory for Actuator mounting dimensions

BILL OF MATERIALS:

Item	Name	T70-SS	T70-CS
1	Body	ASTM A351 CF8M	ASTM A216 WCB
2	Cap	ASTM A351 CF8M	ASTM A216 WCB
3	Ball	ASTM A351 CF8M	ASTM A351 CF8M
4	Seat	RPTFE	RPTFE
5	Stem	SS316	SS316
6	Gasket	PTFE	PTFE
7	Thrust Washer	PTFE	PTFE
8	Stem packing	PTFE	PTFE
9	Gland Nut	SS304	SS304
10	Handle	SS304	SS304
11	Locking Device	SS304	SS304
12	Handle Nut	SS304	SS304
13	Handle Sleeve	PLASTIC	PLASTIC

TEST PRESSURE:

SHELL: 1500~2900 psi
 SEAT: 100 psi
 All valves 100% air tested under water at 100 psi Open and Close position.
 Vacuum Service to 29 inches Hg.

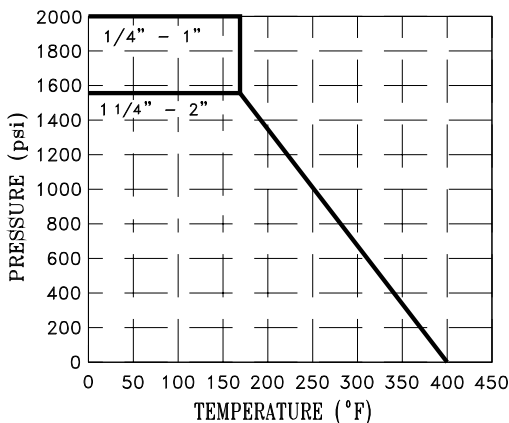
Conforms to:
 Federal Specification WW-V-35C
 Type Style 3

Drilled and Tapped Actuator
 Mounting Pad,
 Consult Factory for Dimensions

Standard Model Number:

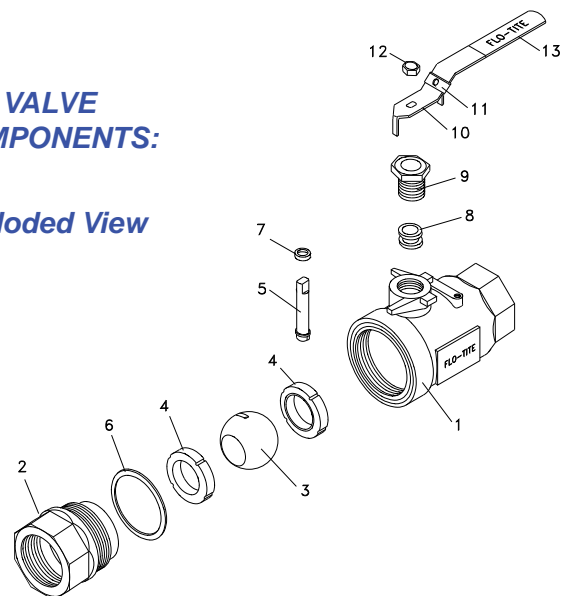
316SS - T70-SS-RTT-L
 WCB - T70-CS-RTT-L

PRESSURE AND TEMPERATURE DATA:



VALVE COMPONENTS:

Exploded View



[Click Here
For Your Free Quote](#)